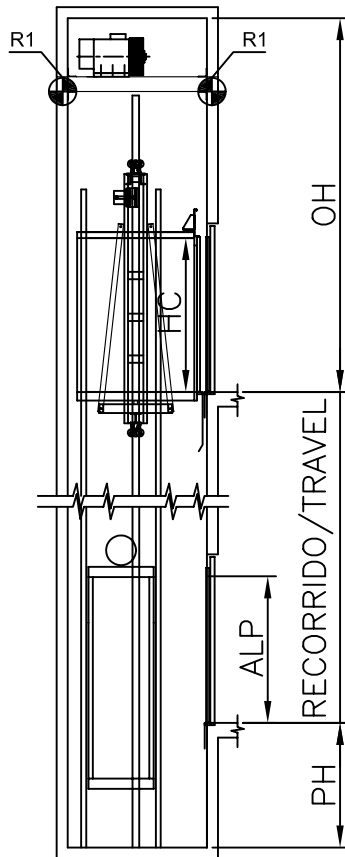
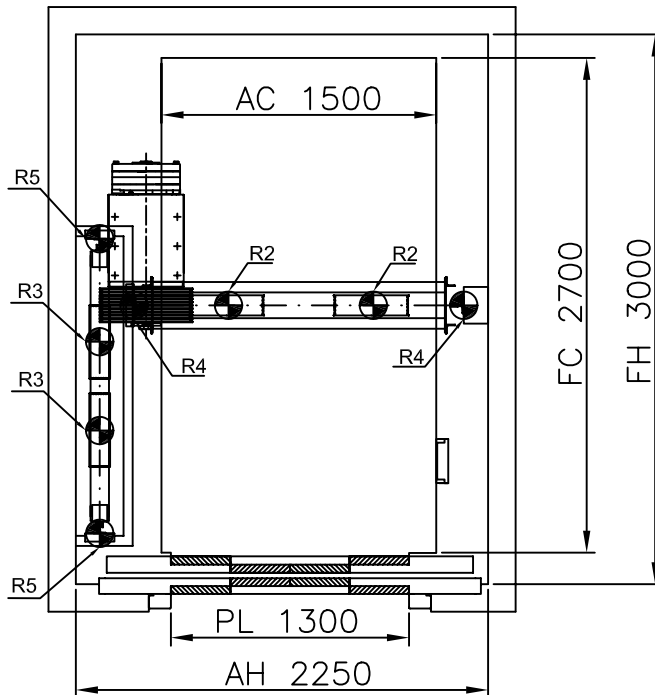


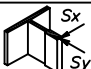
ESCALA/SCALE 1:100



ESCALA/SCALE 1:40



ACCIONES SOBRE EL HUECO

| | | |
|---|--|---------|
| R1 | CARGA SOBRE PARED / WALL LOAD | 70000 N |
| R2 | CARGA EN PUFFER CAB / CAR BUFFER LOAD | 50666 N |
| R3 | CARGA EN PUFFER CPS0 / CTW BUFFER LOAD | 56000 N |
| R4 | CARGA EN GUÍA CAB / CAR GUIDE LOAD | 37240 N |
| R5 | CARGA EN GUÍA CPS0 / CTW GUIDE LOAD | 2000 N |
|  | REACCION DE GUIAS Sx / GUIDES REACTIONS Sx | 1540 N |
| | REACCION DE GUIAS Sy / GUIDES REACTIONS Sy | 2943 N |

MP CH100 25GO! "S"

| | |
|----------|----------------|
| 2000 Kg | 2,5 m/s |
| 26 P. | GO! NOA |
| FOSO/PIT | HUIDA/OVERHEAD |
| 1700 | 5100 |



42 Kw