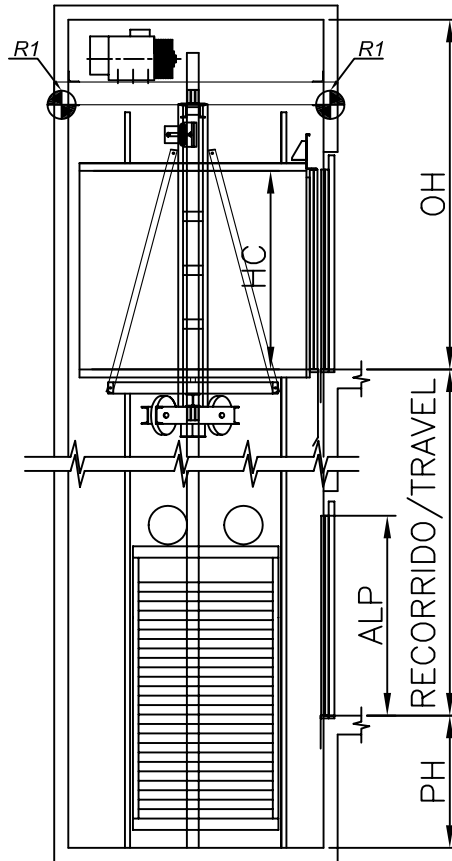
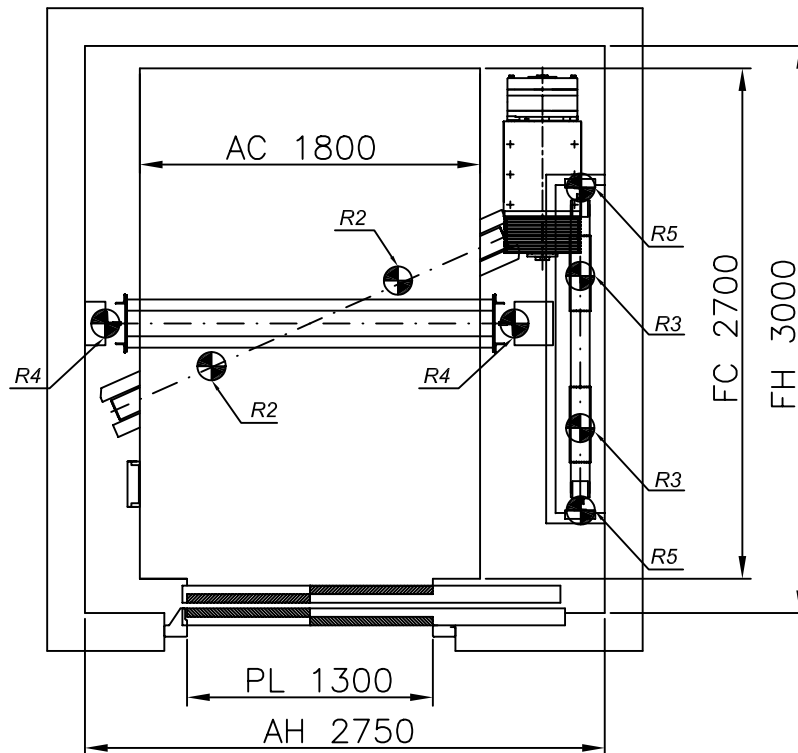


ESCALA/SCALE 1:80



ESCALA/SCALE 1:40



ACCIONES SOBRE EL HUECO

| | | |
|----|--|---------|
| R1 | CARGA SOBRE PARED / WALL LOAD | 80000 N |
| R2 | CARGA EN PUFFER CAB / CAR BUFFER LOAD | 87000 N |
| R3 | CARGA EN PUFFER CPSO / CTW BUFFER LOAD | 62400 N |
| R4 | CARGA EN GUÍA CAB / CAR GUIDE LOAD | 48700 N |
| R5 | CARGA EN GUÍA CPSO / CTW GUIDE LOAD | 1650 N |
| | REACCION DE GUIAS Sx / GUIDES REACTIONS Sx | 2187 N |
| | REACCION DE GUIAS Sy / GUIDES REACTIONS Sy | 3500 N |

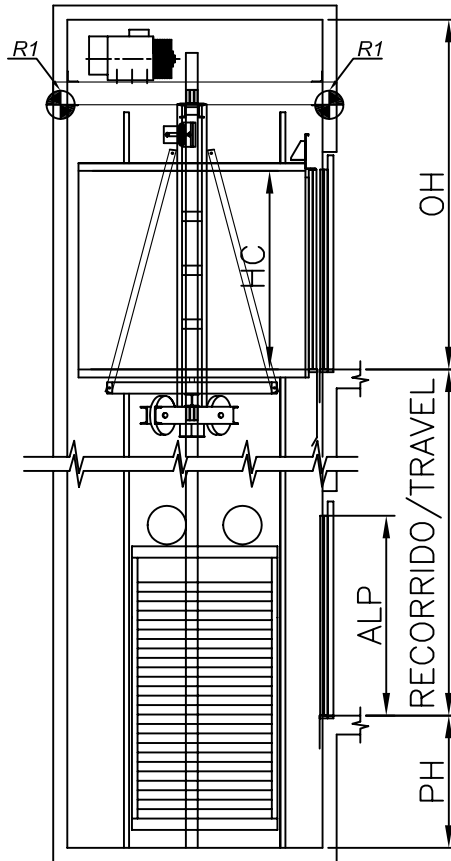
MP3310 GO! "S"

| | |
|----------|----------------|
| 2500 Kg | 1 m/s |
| 33 P. | GO! |
| FOSO/PIT | HUIDA/OVERHEAD |
| 1400 | 3700 |

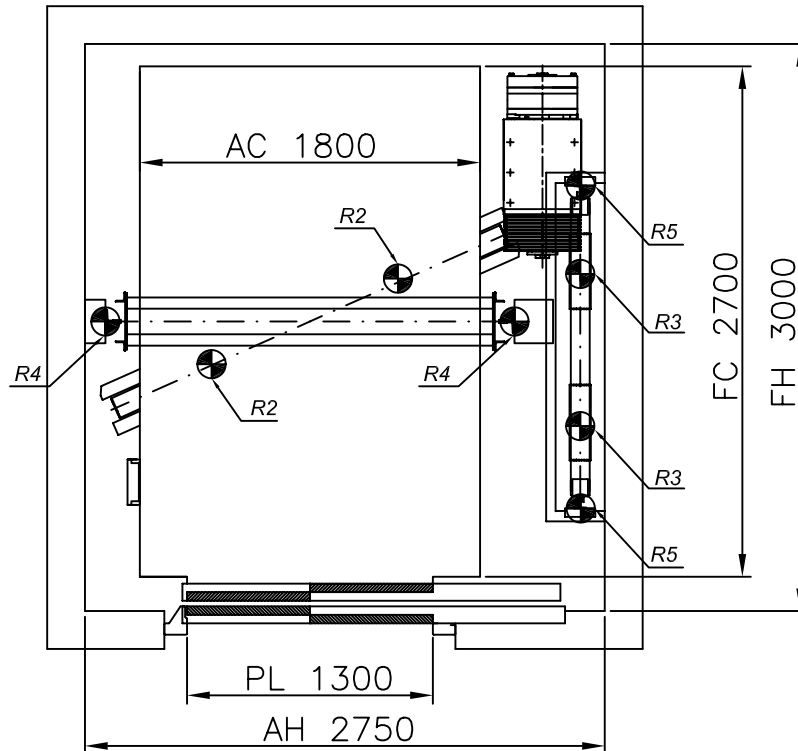


16 Kw

ESCALA/SCALE 1:80



ESCALA/SCALE 1:40



ACCIONES SOBRE EL HUECO

| | | |
|----|--|---------|
| R1 | CARGA SOBRE PARED / WALL LOAD | 80000 N |
| R2 | CARGA EN PUFFER CAB / CAR BUFFER LOAD | 87000 N |
| R3 | CARGA EN PUFFER CPSO / CTW BUFFER LOAD | 62400 N |
| R4 | CARGA EN GUÍA CAB / CAR GUIDE LOAD | 48700 N |
| R5 | CARGA EN GUÍA CPSO / CTW GUIDE LOAD | 1650 N |
| | REACCION DE GUIAS Sx / GUIDES REACTIONS Sx | 2187 N |
| | REACCION DE GUIAS Sy / GUIDES REACTIONS Sy | 3500 N |

MP3316 GO! "S"

| | |
|----------|----------------|
| 2500 Kg | 1.6 m/s |
| 33 P. | GO! |
| FOSO/PIT | HUIDA/OVERHEAD |
| 1500 | 3700 |



30 Kw