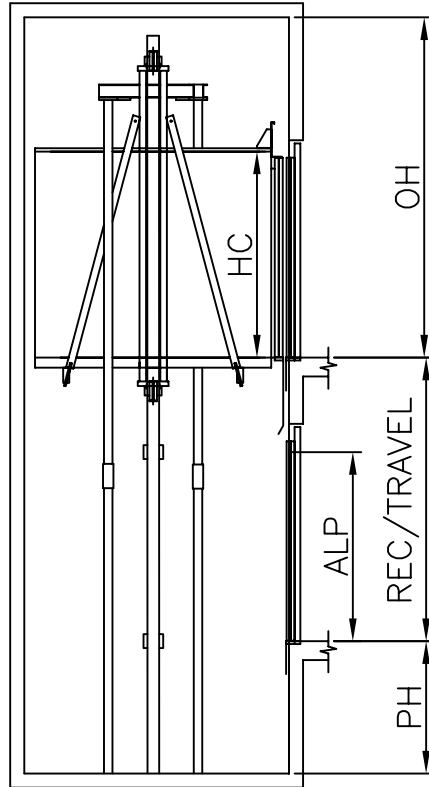
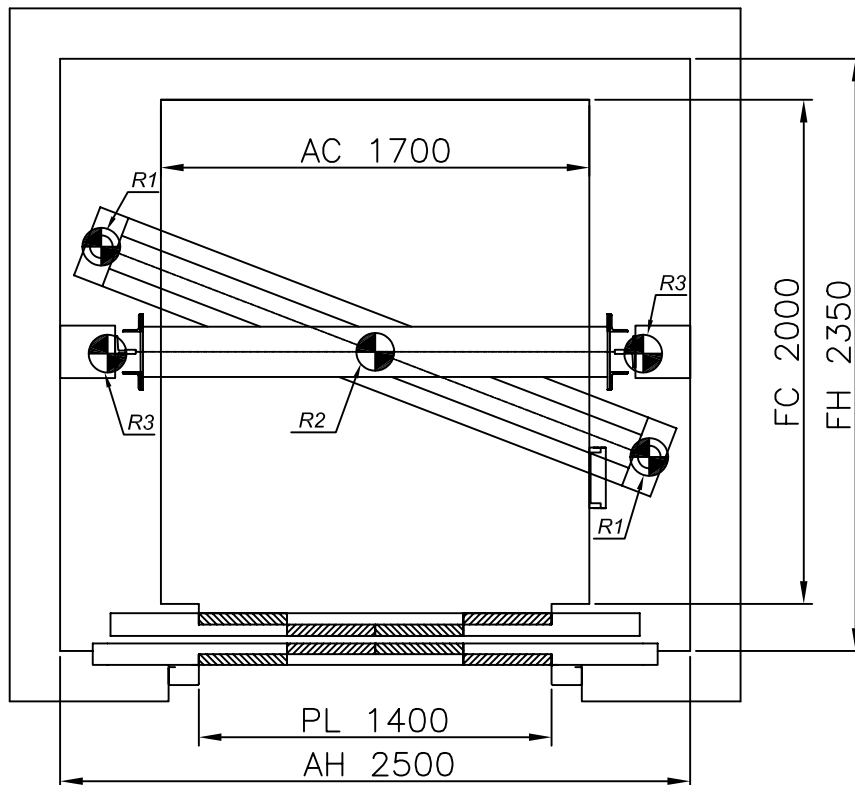


ESCALA / SCALE 1:80



ESCALA / SCALE 1:30



MP 2105 H "C" 1:1

1600 Kg

ACCIONES SOBRE EL HUECO / SHAFT REACTIONS

21P.

0.5 m/s



| | | |
|----|--|----------|
| R1 | CARGA EN PISTÓN / JACK LOAD | 21500 N |
| R2 | CARGA EN PUFFER / BUFFER LOAD | 108500 N |
| R3 | CARGA EN GUÍA / GUIDE LOAD | 28250 N |
| | REACCION DE GUIAS Sx / GUIDES REACTIONS Sx | 1800 N |
| | REACCION DE GUIAS Sy / GUIDES REACTIONS Sy | 2100 N |

FOSO / PIT

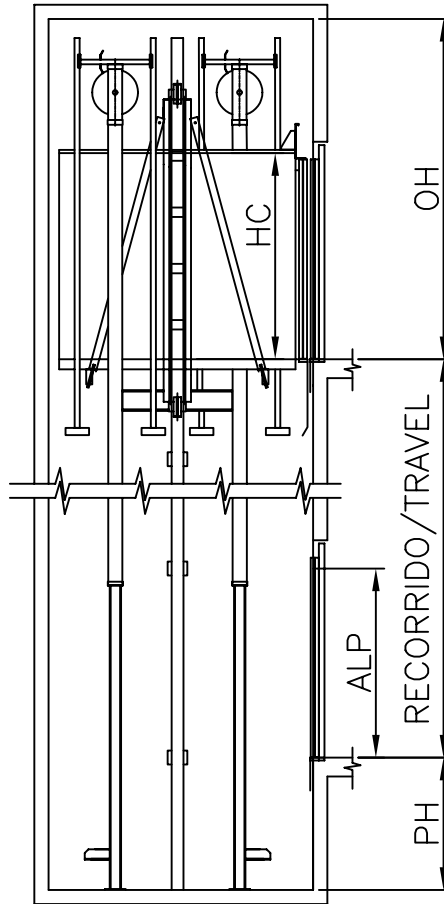
HUIDA / OVERHEAD

1400

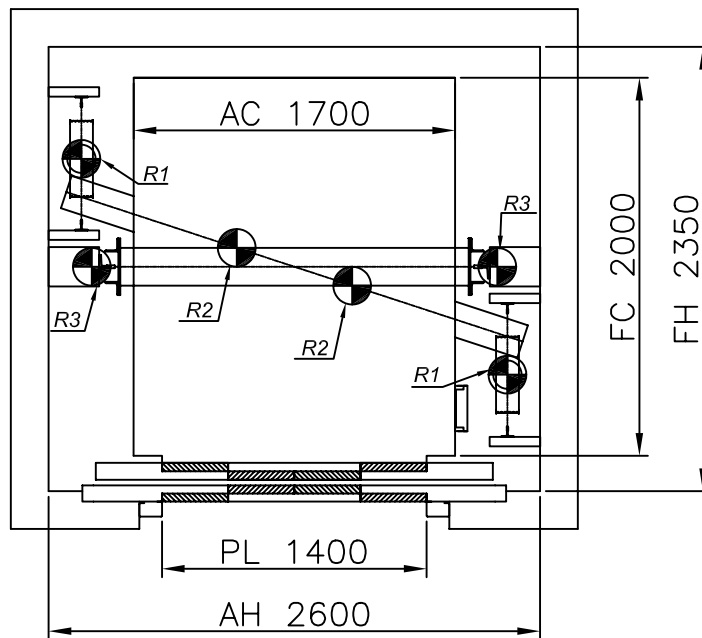
3600


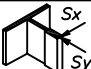
24 Kw

ESCALA / SCALE 1:80



ESCALA / SCALE 1:40



| | | | | |
|---|--|----------------|------------------|---|
| MP 2105 H "C" 2:1 | | 1600 Kg | |  |
| ACCIONES SOBRE EL HUECO / SHAFT REACTIONS | | 21P. | | |
| R1 | CARGA EN PISTÓN / JACK LOAD | 41685 N | 0.5 m/s | |
| R2 | CARGA EN PUFFER / BUFFER LOAD | 55000 N | FOSO / PIT | |
| R3 | CARGA EN GUÍA / GUIDE LOAD | 64000 N | HUIDA / OVERHEAD | |
|  | REACCION DE GUIAS Sx / GUIDES REACTIONS Sx | 1960 N | 1400 | 3600 |
| | REACCION DE GUIAS Sy / GUIDES REACTIONS Sy | 3332 N | | |
| | | | | 24 Kw |