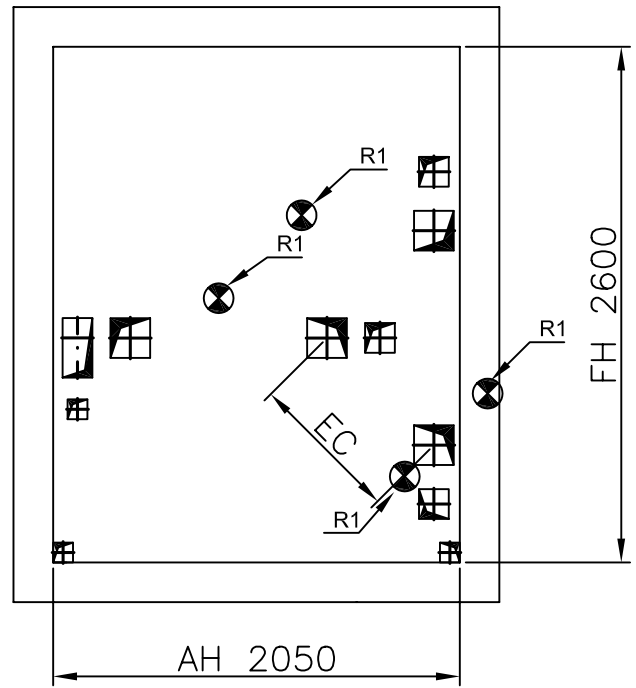
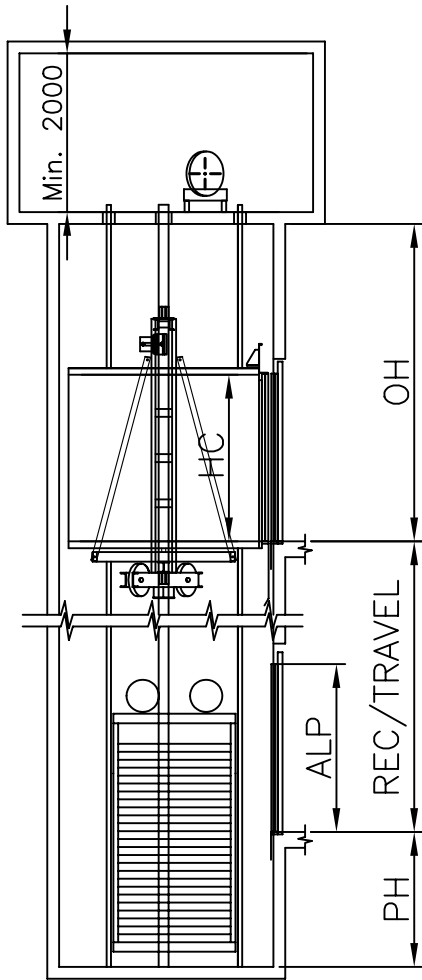
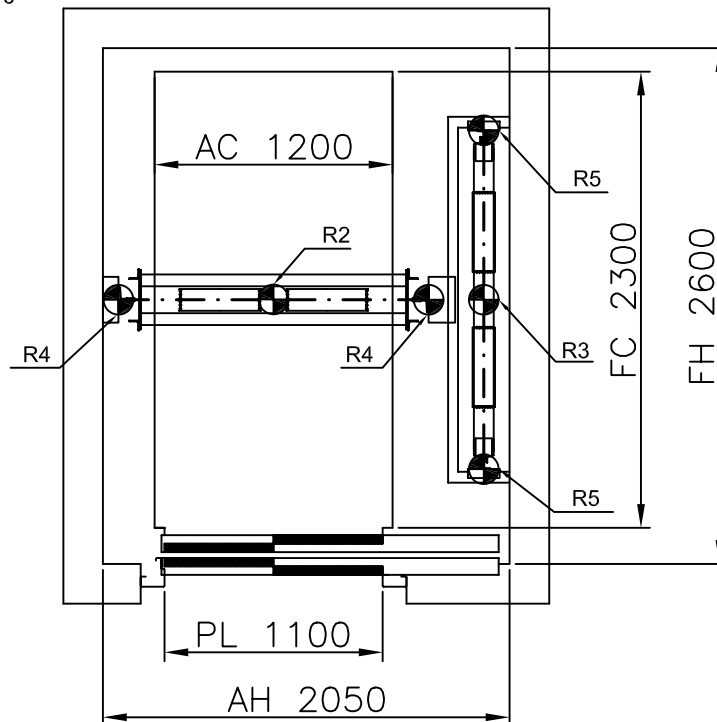


ESCALA/SCALE 1:100

ESCALA/SCALE 1:40



ESCALA/SCALE 1:40



**ACCIONES SOBRE EL HUECO**

|    |  |         |
|----|--|---------|
| R1 | CARGA SOBRE SOBRE LOSA / SLAB LOAD         | 48500 N |
| R2 | CARGA EN PUFFER CAB / CAR BUFFER LOAD      | 76320 N |
| R3 | CARGA EN PUFFER CPSO / CTW BUFFER LOAD     | 56700 N |
| R4 | CARGA EN GUÍA CAB / CAR GUIDE LOAD         | 28590 N |
| R5 | CARGA EN GUÍA CPSO / CTW GUIDE LOAD        | 1650 N  |
|    | REACCION DE GUIAS Sx / GUIDES REACTIONS Sx | 1050N   |
|    | REACCION DE GUIAS Sy / GUIDES REACTIONS Sy | 1150N   |

**MP CR90 25GO! "C"**

|          |                |
|----------|----------------|
| 1275 Kg  | 2.5 m/s        |
| 17 P.    | GO!            |
| FOSO/PIT | HUIDA/OVERHEAD |
| 1700     | 4100           |



9 Kw