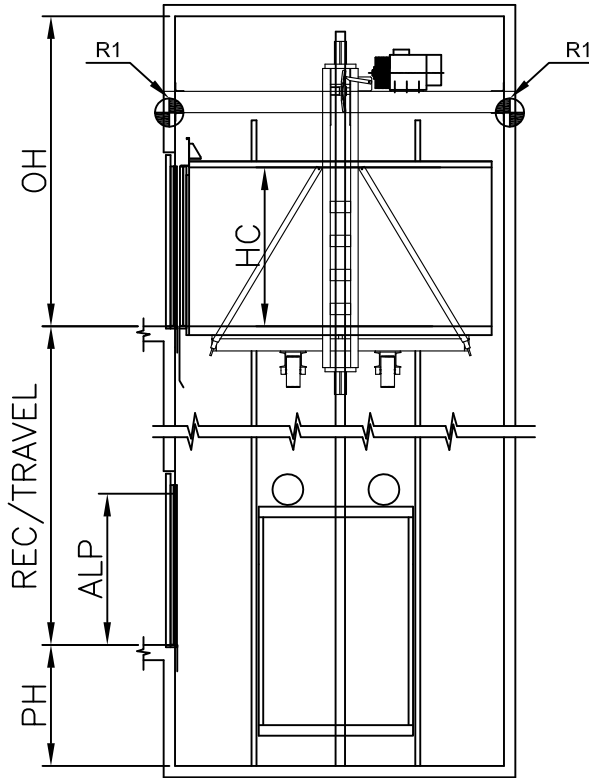
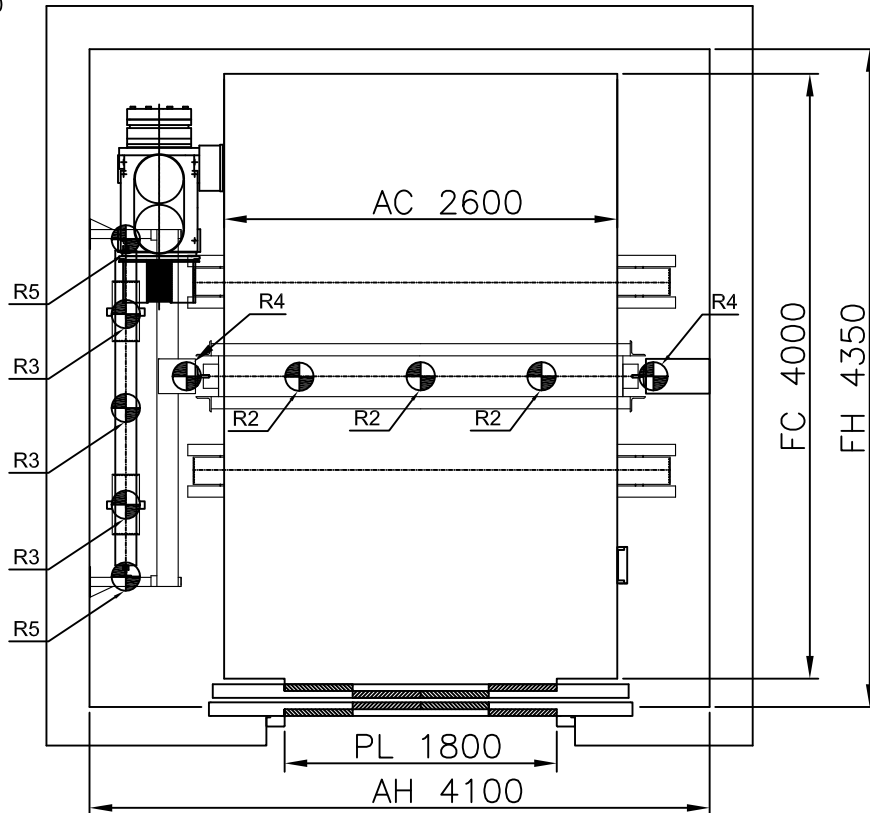


ESCALA/SCALE 1:100



ESCALA/SCALE 1:50



ACCIONES SOBRE EL HUECO / SHAFT REACTIONS

| | | |
|----|--|----------|
| R1 | CARGA SOBRE PARED / WALL LOAD | 110000 N |
| R2 | CARGA EN PUFFER CAB / CAR BUFFER LOAD | 150000 N |
| R3 | CARGA EN PUFFER CPSO / CTW BUFFER LOAD | 109333 N |
| R4 | CARGA EN GUÍA CAB / CAR GUIDE LOAD | 109760 N |
| R5 | CARGA EN GUÍA CPSO / CTW GUIDE LOAD | 1650 N |
| | REACCION DE GUIAS Sx / GUIDES REACTIONS Sx | 11800 N |
| | REACCION DE GUIAS Sy / GUIDES REACTIONS Sy | 8890 N |

MP8005 GO! "S"

| | |
|----------|----------------|
| 6000 Kg | 0.5 m/s |
| 80 P. | GO! |
| FOSO/PIT | HUIDA/OVERHEAD |
| 1600 | 4100 |



30 Kw