

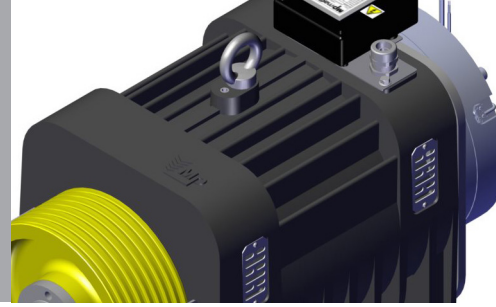
## GENERAL FEATURES

---

- Modular design which optimises the scale of installation needs.
- Robustness and durability.
- Compact solution.
- Ease of assembly and installation.
- Silent operation. Sound power level of < 44 dBA.
- The brake acts as a protection device against excess car speed when ascending. This falls in line with EN 81-1 and EN 81-20/50 (certificate EC-Type Examination).
- Machine connection is achieved via a 5 m shielded cable (with the possibility of using 10, 15 and 20 m cables). Plug-in cables that avoid the chance of error during assembly.
- Encoder for BISS-C or EnDat (Heidenhain ECN 413) interface.
- Option of brake manual opening.
- Option of motor treated for use in tropical conditions.



# GEARLESS MACHINE maGO



## TECHNICAL FEATURES

### SUSPENSION 2:1

MODEL	Rated Load (kg)	Rated Torque (Nm)	Rated Curr. (A)	Power (kW)	Máx. Shaft Load (N)	Rated Speed (m/s)	Ø Pulley (mm)	(Hz)	Voltage (V)	Nr. Poles	rpm	A/h	Duty	BRAKE			Weight (kg)
														M2n (Nm)	Power (W)	Voltage DC (V)	
maGO075.2.240	400	180	9.1	3.0	25000	1	240	18.6	400	14	159	120	40%	2x200	2x85	207	158
maGO100.2.240	525	240	11.2	4.0	25000	1	240	18.6	400	14	159	180	40%	2x300	2x85	207	170
maGO125.2.240	675	300	14.1	5.0	25000	1	240	18.6	400	14	159	180	40%	2x300	2x85	207	182
maGO125.2.240.16	675	300	22.8	8.0	25000	1.6	240	29.7	400	14	254	180	40%	2x300	2x85	207	182
maGO150.2.240	800	360	17.3	6.0	30000	1	240	18.6	400	14	159	180	40%	2x480	2x85	207	202
maGO175.2.240	1000	420	17.6	7.0	30000	1	240	18.6	400	14	159	180	40%	2x480	2x85	207	214
maGO200.2.240	1150	480	21.3	8.0	30000	1	240	18.6	400	14	159	180	40%	2x480	2x85	207	232
maGO200.2.240.16	1000	480	34.9	12.8	30000	1.6	240	29.7	400	14	254	180	40%	2x480	2x85	207	232
maGO250.2.240	1250	610	27.9	10.2	30000	1	240	18.6	400	14	159	180	40%	2x700	2x140	207	268
maGO275.2.240	1600	700	32.6	11.7	30000	1	240	18.6	400	14	159	180	40%	2x700	2x140	207	280
maGO275.2.270	1600	700	32.6	10.3	30000	1	270	16.5	400	14	141	180	40%	2x700	2x140	207	285
maGO150.2.320	600	360	14.3	4.5	30000	1	320	13.9	400	14	119	180	40%	2x480	2x85	207	212
maGO175.2.320	675	420	15.3	5.3	30000	1	320	13.9	400	14	119	180	40%	2x480	2x85	207	224
maGO200.2.320	800	480	18.1	6.0	30000	1	320	13.9	400	14	119	180	40%	2x480	2x85	207	242
maGO200.2.320.16	750	480	34.9	9.6	30000	1.6	320	22.2	400	14	191	180	40%	2x480	2x85	207	242
maGO225.2.320	900	550	20.3	6.9	30000	1	320	13.9	400	14	119	180	40%	2x700	2x140	207	264
maGO250.2.320	1000	610	23.1	7.7	30000	1	320	13.9	400	14	119	180	40%	2x700	2x140	207	276
maGO150.2.400	480	360	14.3	3.6	30000	1	400	11.2	400	14	96	180	40%	2x480	2x85	207	217
maGO150.2.400.16	480	360	17.3	5.8	30000	1.6	400	17.9	400	14	154	180	40%	2x480	2x85	207	217
maGO175.2.400	525	420	15.3	4.2	30000	1	400	11.2	400	14	96	180	40%	2x480	2x85	207	229
maGO175.2.400.16	525	420	17.6	6.8	30000	1.6	400	17.9	400	14	154	180	40%	2x480	2x85	207	229
maGO200.2.400	630	480	18.1	4.8	30000	1	400	11.2	400	14	96	180	40%	2x480	2x85	207	247
maGO200.2.400.16	630	480	21.3	7.7	30000	1.6	400	17.9	400	14	154	180	40%	2x480	2x85	207	247
maGO225.2.400	750	550	20.3	5.5	30000	1	400	11.2	400	14	96	180	40%	2x700	2x140	207	269
maGO250.2.400	800	610	23.1	6.1	30000	1	400	11.2	400	14	96	180	40%	2x700	2x140	207	281
maGO250.2.400.16	800	610	27.9	9.8	30000	1.6	400	17.9	400	14	154	180	40%	2x700	2x140	207	281

Data valid for: Efficiency 85% / Run 18 m

For maGO with Rated Speed < 1 m/s, take maGO for Rated Speed = 1 m/s and adjust the power supply frequency.

For maGO at 1 m/s < Rated Speed < 1.6 m/s, take maGO for Rated Speed = 1.6 m/s and adjust the power supply frequency.

### maGO FOR SINGLE-PHASE INSTALLATION

#### SUSPENSION 2:1

MODEL	Rated Load (kg)	Rated Torque (Nm)	Rated Curr. (A)	Power (kW)	Máx. Shaft Load (N)	Rated Speed (m/s)	Ø Pulley (mm)	(Hz)	Voltage (V)	Nr. Poles	rpm	A/h	Duty	BRAKE			Weight (kg)
														M2n (Nm)	Power (W)	Voltage DC (V)	
maGO100.2.240.T.50.M	450	207	10.2	1.7	25000	0.5	240	9.3	230	14	80	120	40%	2x300	2x85	207	170

Data valid for: Efficiency 80% / Run 18 m

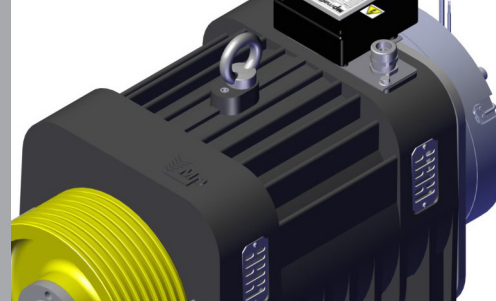
#### SUSPENSION 1:1

maGO125.1.240.T.80.M	225	270	11	1.8	25000	0.8	240	7.5	230	14	64	120	40%	2x300	2x85	207	182
maGO200.1.240.T.80.M	300	290	10.8	1.9	30000	0.8	240	7.5	230	14	64	120	40%	2x300	2x85	207	232
maGO275.1.240.T.50.M	450	464	10.4	1.9	30000	0.5	240	4.7	230	14	40	120	40%	2x480	2x85	207	280

Data valid for: Efficiency 80% / Run 18 m



# GEARLESS MACHINE maGO



## SUSPENSION 1:1

MODEL	Rated Load (kg)	Rated Torque (Nm)	Rated Curr. (A)	Power (kW)	Máx. Shaft Load (N)	Rated Speed (m/s)	Ø Pulley (mm)	(Hz)	Voltage (V)	Nr. Poles	rpm	A/h	Duty	BRAKE			Weight (kg)
														M2n (Nm)	Power (W)	Voltage DC (V)	
maGO100.1.160	320	240	11.2	3.0	25000	1	160	13.9	400	14	119	180	40%	2x300	2x85	207	170
maGO125.1.160	400	300	14.1	3.8	25000	1	160	13.9	400	14	119	180	40%	2x300	2x85	207	182
maGO150.1.160	480	360	14.3	4.5	25000	1	160	13.9	400	14	119	180	40%	2x480	2x85	207	202
maGO175.1.160	600	420	15.3	5.3	25000	1	160	13.9	400	14	119	180	40%	2x480	2x85	207	214
maGO075.1.240	180	180	5.4	1.5	25000	1	240	9.3	400	14	80	120	40%	2x200	2x85	207	158
maGO075.1.240.16	180	180	9.1	2.4	25000	1.6	240	14.9	400	14	128	120	40%	2x200	2x85	207	158
maGO100.1.240	225	240	6.8	2.0	25000	1	240	9.3	400	14	80	180	40%	2x300	2x85	207	170
maGO100.1.240.16	225	240	11.2	3.2	25000	1.6	240	14.9	400	14	128	180	40%	2x300	2x85	207	170
maGO125.1.240	320	300	8.1	2.5	25000	1	240	9.3	400	14	80	180	40%	2x300	2x85	207	182
maGO125.1.240.16	320	300	14.1	4.0	25000	1.6	240	14.9	400	14	128	180	40%	2x300	2x85	207	182
maGO150.1.240	400	360	9.7	3.0	30000	1	240	9.3	400	14	80	180	40%	2x480	2x85	207	202
maGO150.1.240.16	400	360	17.3	4.8	30000	1.6	240	14.9	400	14	128	180	40%	2x480	2x85	207	202
maGO175.1.240	480	420	11.3	3.5	30000	1	240	9.3	400	14	80	180	40%	2x480	2x85	207	214
maGO175.1.240.16	480	420	17.6	5.6	30000	1.6	240	14.9	400	14	128	180	40%	2x480	2x85	207	214
maGO200.1.240	525	480	11.9	4.0	30000	1	240	9.3	400	14	80	180	40%	2x480	2x85	207	232
maGO200.1.240.16	525	480	21.3	6.4	30000	1.6	240	14.9	400	14	128	180	40%	2x480	2x85	207	232
maGO225.1.240	630	550	14.4	4.6	30000	1	240	9.3	400	14	80	180	40%	2x700	2x140	207	256
maGO250.1.240	675	610	15.3	5.1	30000	1	240	9.3	400	14	80	180	40%	2x700	2x140	207	268
maGO250.1.240.16	675	610	27.9	8.2	30000	1.6	240	14.9	400	14	128	180	40%	2x700	2x140	207	268
maGO275.1.240	750	700	17.3	5.9	30000	1	240	9.3	400	14	80	180	40%	2x700	2x140	207	280
maGO275.1.240.16	750	700	32.6	9.3	30000	1.6	240	14.9	400	14	128	180	40%	2x700	2x140	207	280
maGO125.1.320	225	300	6.6	1.9	25000	1	320	7	400	14	60	180	40%	2x300	2x85	207	192
maGO150.1.320	320	360	7.5	2.3	30000	1	320	7	400	14	60	180	40%	2x480	2x85	207	212
maGO150.1.320.16	320	360	14.3	3.6	30000	1.6	320	11.2	400	14	96	180	40%	2x480	2x85	207	212
maGO175.1.320	375	420	9.0	2.6	30000	1	320	7	400	14	60	180	40%	2x480	2x85	207	224
maGO175.1.320.16	375	420	15.3	4.2	30000	1.6	320	11.2	400	14	96	180	40%	2x480	2x85	207	224
maGO200.1.320	400	480	9.9	3.0	30000	1	320	7	400	14	60	180	40%	2x480	2x85	207	242
maGO200.1.320.16	400	480	18.1	4.8	30000	1.6	320	11.2	400	14	96	180	40%	2x480	2x85	207	242
maGO225.1.320	480	550	11.5	3.5	30000	1	320	7	400	14	60	180	40%	2x700	2x140	207	264
maGO225.1.320.16	480	550	20.3	5.5	30000	1.6	320	11.2	400	14	96	180	40%	2x700	2x140	207	264
maGO250.1.320	525	610	12.5	3.8	30000	1	320	7	400	14	60	180	40%	2x700	2x140	207	276
maGO250.1.320.16	525	610	23.1	6.1	30000	1.6	320	11.2	400	14	96	180	40%	2x700	2x140	207	276
maGO275.1.320	630	700	13.8	4.4	30000	1	320	7	400	14	60	180	40%	2x700	2x140	207	288
maGO275.1.320.16	630	700	32.6	7	30000	1.6	320	11.2	400	14	96	180	40%	2x700	2x140	207	288
maGO175.1.400	225	420	7.7	2.1	30000	1	400	5.6	400	14	48	180	40%	2x480	2x85	207	229
maGO175.1.400.16	225	420	11.3	3.4	30000	1.6	400	9.0	400	14	77	180	40%	2x480	2x85	207	229
maGO225.1.400	375	550	9.7	2.8	30000	1	400	5.6	400	14	48	180	40%	2x700	2x140	207	269
maGO225.1.400.16	375	550	14.4	4.4	30000	1.6	400	9.0	400	14	77	180	40%	2x700	2x140	207	269
maGO275.1.400	480	700	11.9	3.5	30000	1	400	5.6	400	14	48	180	40%	2x700	2x140	207	293
maGO275.1.400.16	480	700	17.3	5.7	30000	1.6	400	9.0	400	14	77	180	40%	2x700	2x140	207	293

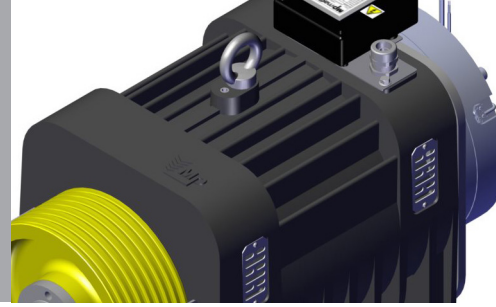
Data valid for: Efficiency 80% / Run 18 m

For maGO with Rated Speed < 1 m/s, take maGO for Rated Speed = 1 m/s and adjust the power supply frequency.

For maGO at 1 m/s < Rated Speed < 1.6 m/s, take maGO for Rated Speed = 1.6 m/s and adjust the power supply frequency.



# GEARLESS MACHINE maGO



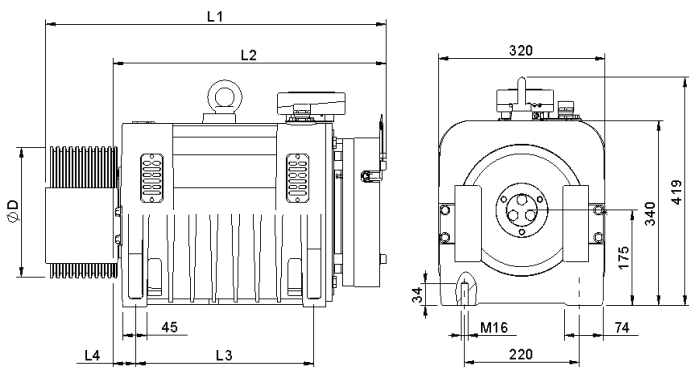
## maGO NOMENCLATURE

Example -> maGOxxx.2.240.T.63.M	maGOxxx	.2	.240	.T	.63	.M
MÁQUINA						
maGOxxx: Machine Gearless MP						
SUSPENSION						
.1: 1:1	.2: 2:1					
DIAMETER TRACTION PULLEY						
.160: Pulley Ø 160 mm	.240: Pulley Ø 240 mm		.270: Pulley Ø 270 mm		.320: Pulley Ø 320 mm	
		.400: Pulley Ø 400 mm				
VOLTAGE						
No value will appear for: 400 V						.T: 230 V
SPEED						
No value will appear for: 1 m/s	.63: 0.63 m/s		.80: 0.8 m/s		.16: 1.6 m/s	
maGO FOR SINGLE-PHASE INSTALLATION						
No value will appear for: Three-phase						.M: Single-phase

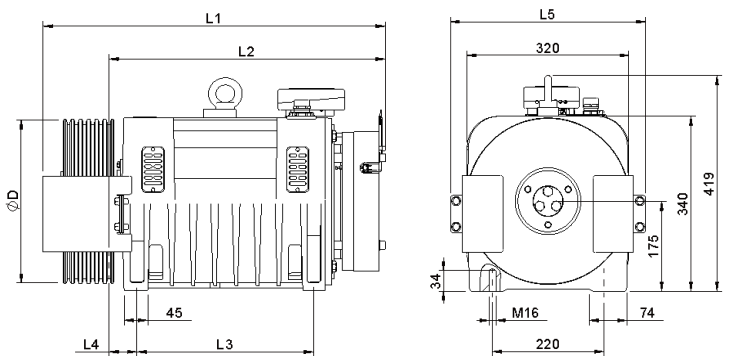
## DIMENSIONS

TYPES	Ø Pulleys: Ø D (mm)	L1 (mm)	L2 (mm)	L3 (mm)	L4 (mm)	L5 (mm)
maGO100/125	160	573	426	250	43	
maGO150/175	160	653	506	330	43	
maGO075/100/125	240 (6 grooves)	544	438	250	55	
	240 (8/10 grooves)	624	518	330	55	
maGO150/175/200	240 (6 grooves)	630	506	330	43	
	240 (8/10 grooves)	719	595	410	43	
maGO275	270	729	595	410	43	
maGO075/100/125	320	559	437	250	53	386
maGO150/175/200	320	639	517	330	53	386
maGO225/250/275	320	728	606	410	53	386
maGO150/175/200	400	650	517	330	53	480
maGO225/250/275	400	739	606	410	53	480

For pulley Ø160/Ø240/Ø270



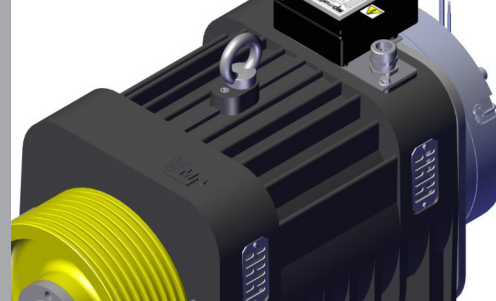
For pulley Ø320/Ø400



## PACKING DIMENSIONS (according to ISPM-15)

Cardboard box (Length x Width x Height)  
Chipboard box (Length x Width x Height)

765 x 495 x 595 mm<sup>3</sup>  
810 x 465 x 680 mm<sup>3</sup>



## TRACTION PULLEY FEATURES

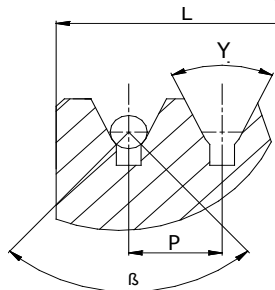
### Pulley

- Ø 160: UNE-EN 10083 42CrMo4 (Steel) material
- Ø 240 / Ø 270: UNE-EN 10083 C45 (Steel) material; • Ø 320/ Ø 400: Cast iron material

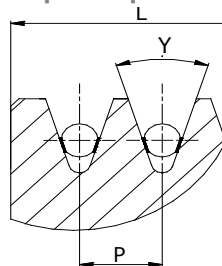
### Types of groove

- Semicircular undercut groove:  $\gamma = 25^\circ \div 45^\circ$ ,  $\beta = 75^\circ \div 105^\circ$  (for Ø 160, Ø 240, Ø 320 and Ø 400 pulley)
- V-shaped trapezoidal groove:  $\gamma = 35^\circ \div 60^\circ$  (for Ø 240 and Ø 270 pulley)

Semi-circular undercut groove



V-shaped trapezoidal groove



Nº ropes and rope diameters, depending on the pulley diameter, on the width and on the pitch (dimension P)

TRACTION PULLEY					Max. Nr of Ropes
Ø Pulley (mm)	Width L (mm)	Ø Rope 6.5 mm	Ø Rope 8 mm	Ø Rope 9 y 10 mm	
		P = 12 mm	P = 15 mm	P = 15 mm	
160	124	10			
	148	12			
240	78	6			
	100	8			
	124	10			
270	124	10			
320	94		6		
	124		8		
400	87		5	5	

Codification of traction pulleys for order form

Example	2		R	8	6	S	85	A
<b>Ø PULLEY</b>								
1: Ø 160   2: Ø 240   0: Ø 270   3: Ø 320   4: Ø 400								
<b>PITCH P (mm)</b>								
R: 12   S: 15								
<b>Nr. GROOVES</b>								
5: 5 Grooves   6: 6 Grooves   8: 8 Grooves   0: 10 Grooves   2: 12 Grooves								
<b>Ø ROPE</b>								
6: Ø 6.5   8: Ø 8   9: Ø 9   0: Ø 10								
<b>TYPE OF GROOVE</b>								
S: Semicircular undercut   V: V-shaped trapezoidal								
<b>β ANGLE</b>								
75: β=75°   76: β=76°   77: β=77°   78: β=78°   79: β=79°   80: β=80°   81: β=81°   82: β=82°   83: β=83° 84: β=84°   85: β=85°   86: β=86°   87: β=87°   88: β=88°   89: β=89°   90: β=90°   91: β=91°   92: β=92° 93: β=93°   94: β=94°   95: β=95°   96: β=96°   97: β=97°   98: β=98°   99: β=99°   00: β=100°   01: β=101° 02: β=102°   03: β=103°   04: β=104°   05: β=105°   XX: V-shaped trapezoidal groove								
<b>γ ANGLE</b>								
A: γ=25°   B: γ=26°   C: γ=27°   D: γ=28°   E: γ=29°   F: γ=30°   G: γ=31°   H: γ=32° I: γ=33°   J: γ=34°   K: γ=35°   L: γ=36°   M: γ=37°   N: γ=38°   P: γ=39°   R: γ=40° S: γ=41°   T: γ=42°   U: γ=43°   V: γ=44°   W: γ=45°   X: γ=50°   Y: γ=55°   Z: γ=60°								

• Standard traction pulley codification:

Pulley Ø 160	Pulley Ø 240			Pulley Ø 270	Pulley Ø 320	Pulley Ø 400
1R06S75F	2R66S75A	2R86S75A	2R06S75A	0R06VXXW	3S68S85F	4S50S85F
1R26S75F	2R66S85A	2R86S85A	2R06S85A		3S68S95F	4S50S95F
	2R66S90A	2R86S90A	2R06S90A			
	2R66S95A	2R86S95A	2R06S95A			
	2R66VXXW	2R86VXXW	2R06VXXW			